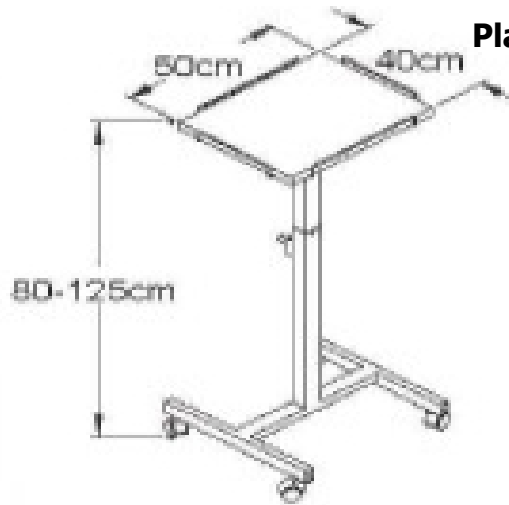




**DLP / LCD (LPT-04)**

**Specifications**



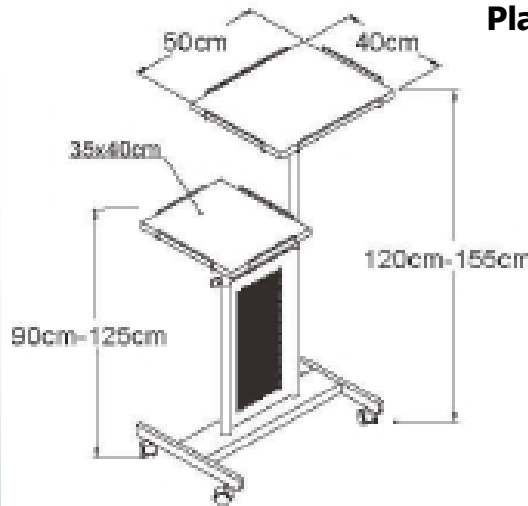
**Platform Height adjustable**  
**18mm fireproof board**  
**4 castor wheels,**  
**2 with brakes**

**Height:** 80-125cm,  
**Shelf:** 50cm x 40cm  
**Max Shelf wight:** 10kg



**MULTIMEDIA (LPT-06)**

**Specifications**



**Platform Height adjustable,**  
**and can be rotated**  
**18mm fireproof board**  
**4 castor wheels,**  
**2 with brakes**

**Upper Platform**  
**Height:** 120-155cm,  
**Shelf:** 50cm x 40cm  
**Lower Platform**  
**Height:** 90mm,  
**Shelf:** 35cm x 40cm  
**Max Shelf wight:** 10kg



**GENERAL-PURPOSE**

**Specifications**

**Height:** 63cm / 25"  
**Shelf:** 53cm x 53cm / 21" x 21"  
**Max Shelf weight:** 30kg  
**Cable tidy with base shelf for additional storage**